

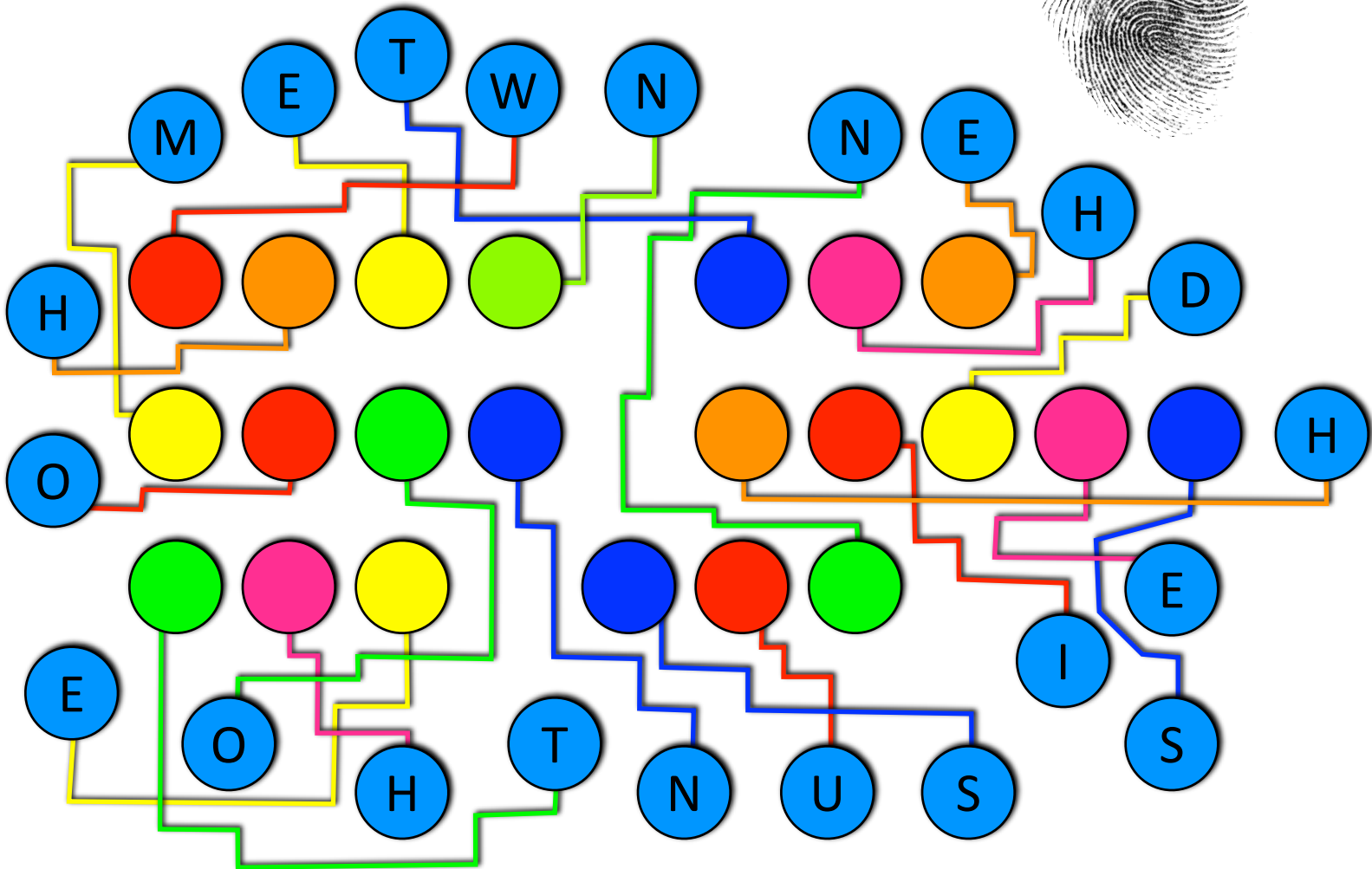
**CLASSIFIED**

# The Great Foothill Spy Game

## Clue #2

Secret Agent,

Are you ready for day #2? Follow the lines and write the correct letters in the circles. The solution is one word.



Solution: \_\_\_\_\_